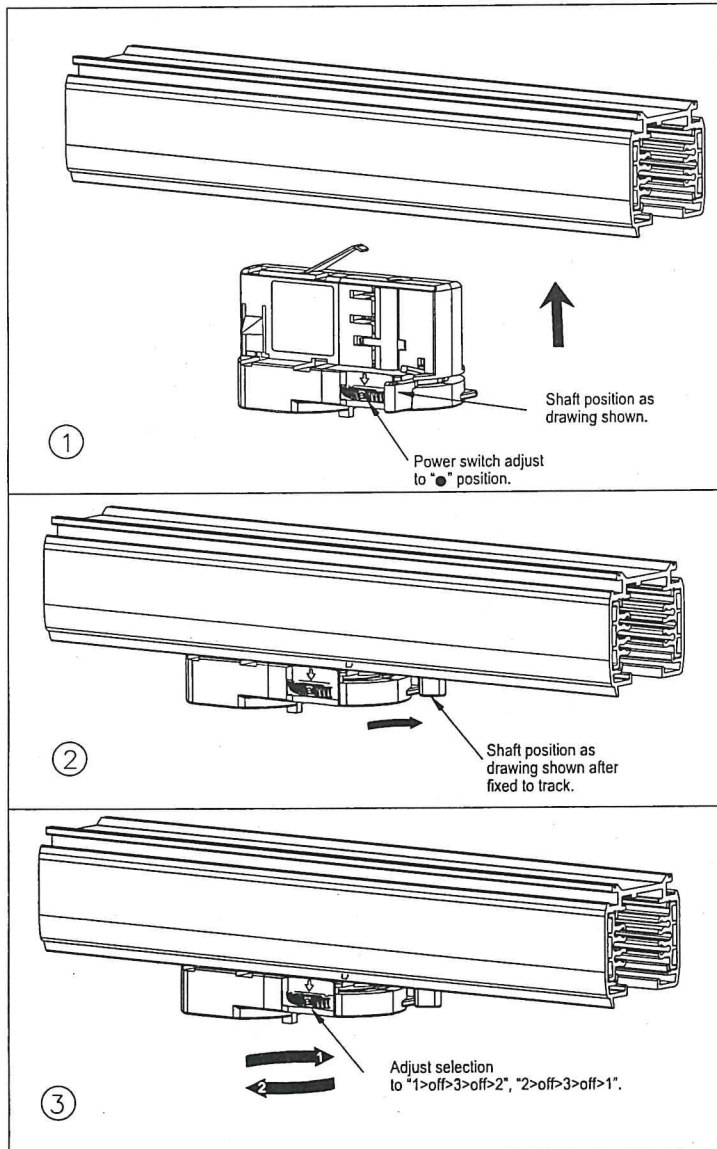
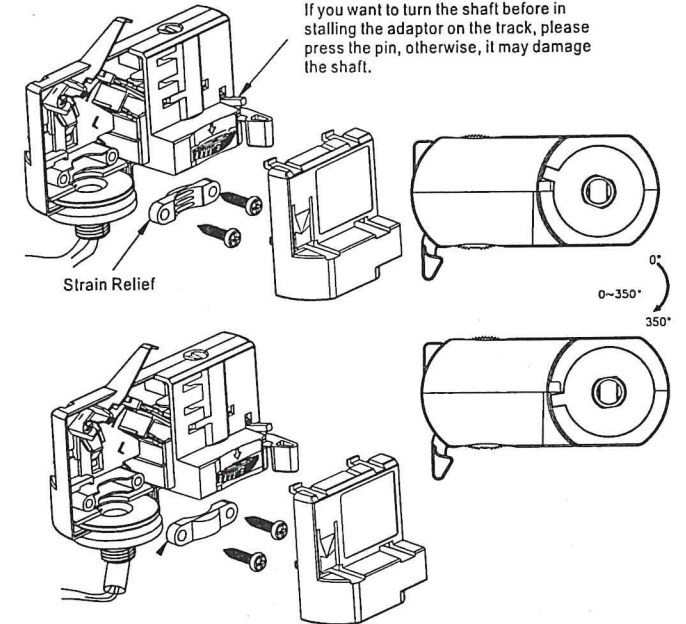
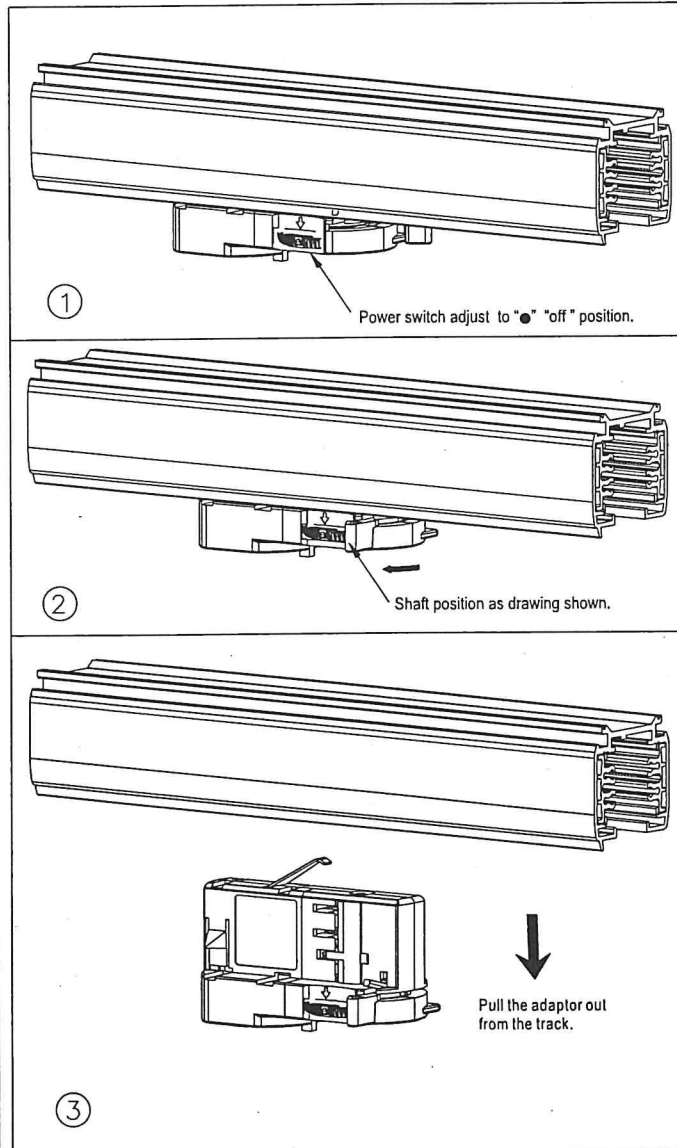


INSTRUCTION INSTALLATION OF 3 CIRCUITS TRACK ADAPTOR

ADAPTOR INSTALLATION DIAGRAM



ADAPTOR DISASSEMBLY DIAGRAM



- 1.Wire:0.75<sup>2</sup>,18AWG & 0.5<sup>2</sup>,20AWG.(Press the wire into wire slot by tool)
- 2.Maximum torque of screw: 11.0kgf.cm.
- 3.Rotation range of connector between light and adaptor:0-350°.
- 4.Electrical parameter: 220-250VAC,10A.