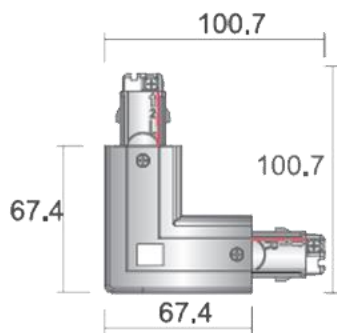


DATASHEET | Connection Parts – L Connector Right DALI 1 Circuit



Product code White (RAL 9010)	PRO-D435R-W
EAN code White	8719747932063
Product code Grey (RAL 7040)	PRO-D435R-S
EAN code Grey	8719747932070
Product code Black (RAL 9011)	PRO-D435R-B
EAN code Black	8719747932087
Main materials	PC UL94V0 + Copper + Steel
Inner box / Outer box	18 / 108
Net weight per piece	112 g
Rated voltage per circuit	230V / 16A

Dimensions



Red line on the diagram indicates the polarity ridge.

For DALI-control system



RoHS



16A