

## PRO-0435L

### Connection Parts

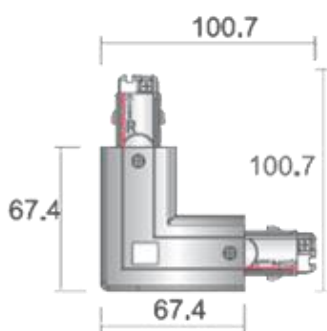


### L Connector Left



Product code White (RAL 9010) EAN code White	PRO-0435L-W 8719747930397
Product code Grey (RAL 7040) EAN code Grey	PRO-0435L-S 8719747930403
Product code Black (RAL 9011) EAN code Black	PRO-0435L-B 8719747930410
Main materials	PC UL94V0 + Copper + Steel
Net weight per piece	112 g
Inner box / outer box	18 / 108 pcs
Rated voltage per circuit	230V / 16A

### Dimensions



Red line on the diagram indicates the polarity ridge

ON THE RIGHT TRACK



RoHS

